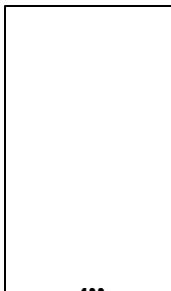
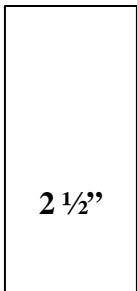
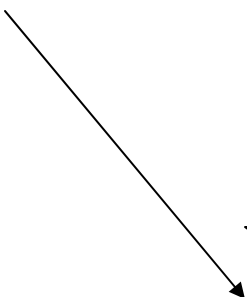


*Position text 2.5 inches from the top of the page; center  
Title all in CAPS*



STRATEGIC NETWORKS OF  
GROWTH-ORIENTED MANUFACTURING FIRMS:  
A COMPARATIVE STUDY OF STRUCTURES AND OUTCOMES

*Position line four  
Inches from the top  
Of the page*



THESIS



A thesis submitted in partial fulfillment of the  
requirements for the degree of Master of Science in the  
College of Business and Economics  
at the University of Kentucky

By

Sherrie Elaine Human

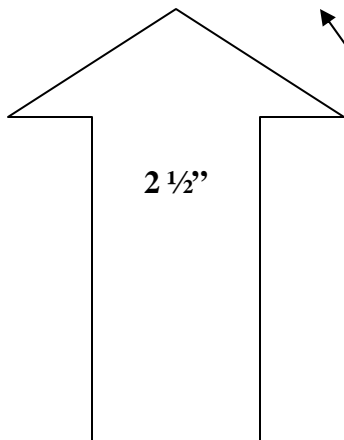
Lexington, Kentucky

Director: Dr. \_\_\_\_\_, Professor of

Lexington, Kentucky

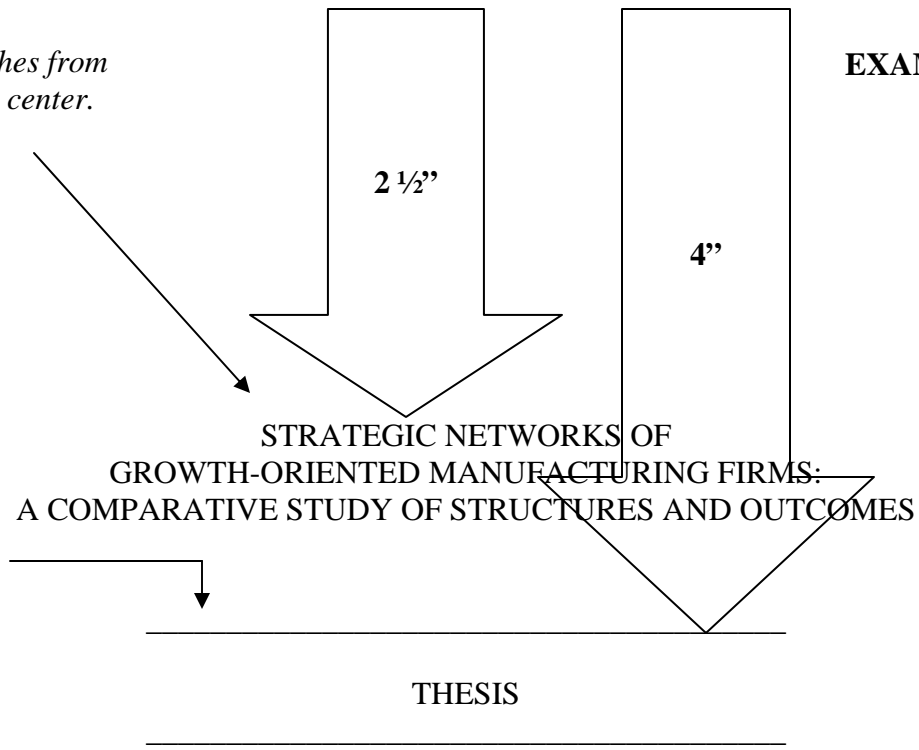
1995

Copyright © Sherrie Elaine Human 1995



*Position text 2.5 inches from  
The bottom of the page; center*

*Position text 2.5 inches from  
The top of the page; center.  
Title all in CAPS*



*Position line four  
Inches from the top  
Of the page*

A thesis submitted in partial fulfillment of the requirements for the degree of Master of Science in the College of Business and Economics at the University of Kentucky

By

Sherrie Elaine Human

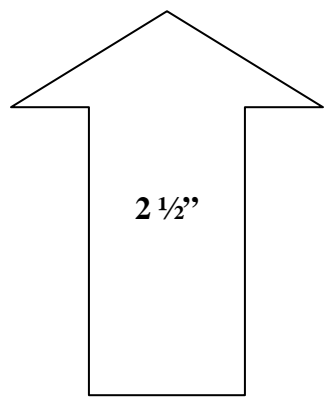
Lexington, Kentucky

Co-Directors: Dr. \_\_\_\_\_, Professor of  
and Dr. \_\_\_\_\_, Professor of

Lexington, Kentucky

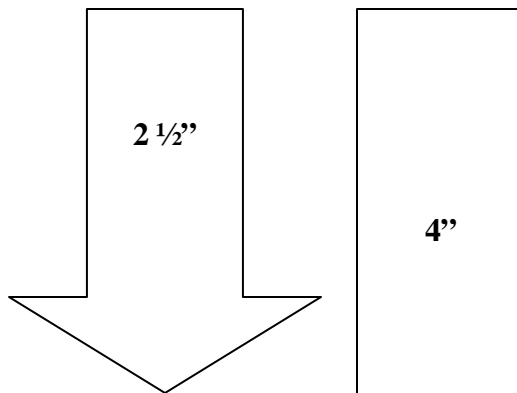
1995

Copyright © Sherrie Elaine Human 1995



*Position text 2.5 inches from  
the bottom of the page; center*

*Position text 2.5 inches from  
The top of the page; center.  
Title all in CAPS*



**STRATEGIC NETWORKS OF  
GROWTH-ORIENTED MANUFACTURING FIRMS:  
A COMPARATIVE STUDY OF STRUCTURES AND OUTCOMES**

**VOLUME TWO**

*Position line four  
Inches from the top  
Of the page*

---

**THESIS**

---

A thesis submitted in partial fulfillment of the  
requirements for the degree of Master of Science in the  
College of Business and Economics  
at the University of Kentucky

By

Sherrie Elaine Human

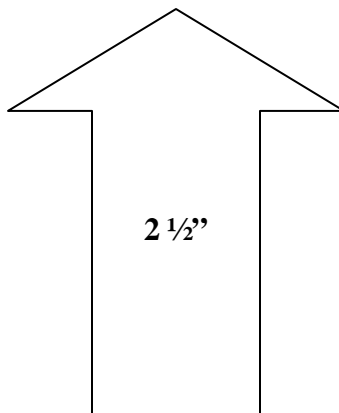
Lexington, Kentucky

Director: Dr. \_\_\_\_\_, Professor of

Lexington, Kentucky

1995

Copyright © Sherrie Elaine Human 1995



*Position text 2.5 inches from  
the bottom of the page; center*